



F compact hydro-massage ABS / Bronze



Operator's Manual



Translation of the original



27106 - D

Contents

1	General / Usage Instructions	4
1.1	Guaranty note	4
1.2	General	4
1.3	Usage Instructions	4
2	Safety Instructions	4
2.1	Safety Instructions for the Operator	4
3	Unit Description / General Technical Data	4
3.1	Technical Data	5
4	rio compact hydro-massage ABS	5
4.1	Shuttering / Concrete pool	5
4.2	Shuttering removal / Concrete-tile pool and Concrete-liner pool	6
4.3	Shuttering removal / Concrete pool with brush-applied sealant	6
4.4	Installation general	6
4.5	Installation / Concrete-tile pool	6
4.6	Installation / Concrete-liner pool	7
4.7	Installation / Concrete pool with brush-applied sealant	8
4.8	Einbauvorgang / Fertigbecken	9
5	Spare parts list rio compact hydro-massage ABS	10
5.1	Concrete-tile pool	10
5.2	Concrete-liner pool	11
5.3	Concrete pool with brush-applied sealant	12
5.4	Pre-fabricatet pool	13



1 General / Usage Instructions

1.1 Guaranty note

All claims under guarantee lapse if the information in this operating instructions manual are not observed!

1.2 General

GB

Included in the wide range of swimming pool accessories made by **fluvo** there are also rio compact hydro-massage ABS massage jets, that are suitable for installation in large pools as well as smaller private pools or in children's swimming pools.

All parts coming into contact with media are designed for water quality to DIN 19643.

This manual does not take into account local regulations, the observance of which is the responsibility of the operator – also on behalf of installation personnel that may be involved.

1.3 Usage Instructions

Neither the entire unit nor parts thereof must be used in other systems. You are expressly directed to use it only in accordance with these instructions.

Under no circumstances must the massage jet rio compact hydro-massage ABS be used in a way that exceeds the fig.s quoted in the technical specification. In case of doubt, please contact your customer service or the manufacturer.

2 Safety Instructions

Please read this operator's manual carefully before you install and operate the massage jet rio compact hydro-massage ABS. Make sure that you have understood everything.

2.1 Safety Instructions for the Operator

1. Regardless of what nature they may be, repairs must only be carried out by qualified persons. If necessary, the pool should be emptied.
2. The operator must ensure that
 - the operator's manual is always available for users to read,
 - instructions in the operator's manual are being observed.
3. All parts that come into contact with the medium are resistant to an absolute salt content of up to 0.75% (4500mg/l Cl⁻). If the salt concentrations are greater than this, the manufacturer must be consulted.

3 Unit Description / General Technical Data

The massage jet rio compact hydro-massage ABS is delivered as 2 assemblies:

1. Installation kit and 2. Assembly kit

3.1 Technical Data

Massage jet	pulsive	balance	comfort	karibic
Flow rate	7 m ³ /h	12 m ³ /h	20 m ³ /h	48 m ³ /h
Massage power	20 N	25 N	35 N	140 N
Massage area	10 cm ²	250 cm ²	250 cm ²	130 cm ²
Operating pressure	0.5 - 0.8 bar	0.5 - 0.8 bar	0.5 - 0.8 bar	0.5 - 0.8 bar
Max. perm. pressure	1.0 bar	1.0 bar	1.0 bar	1.0 bar



4 rio compact hydro-massage ABS

4.1 Shuttering / Concrete pool

The installation kit can be obtained for concrete-tile pools and concrete-liner pools (03.1) (fig.1), as well as for concrete pools with brush-applied sealant (3.2) (fig.2).

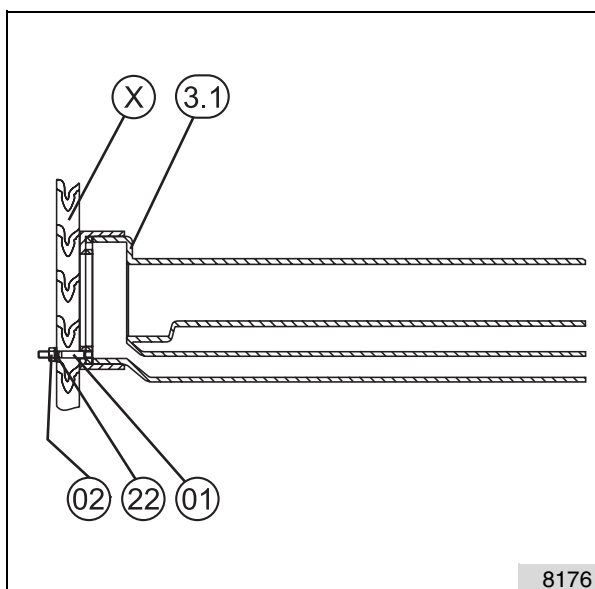


fig. 1

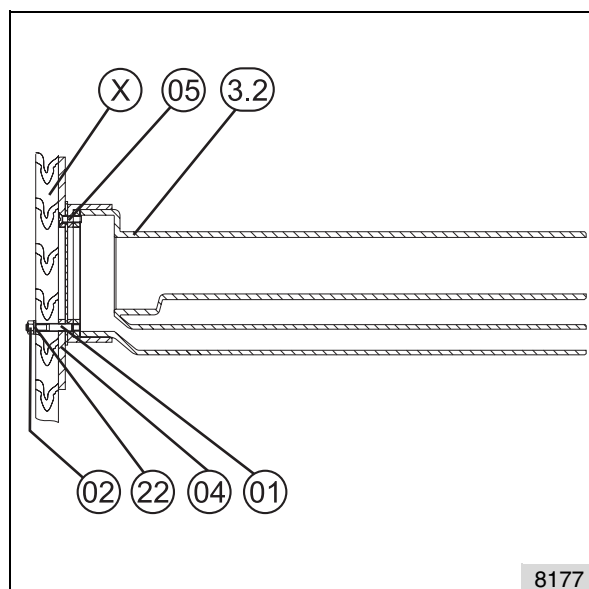


fig. 2

X Wall shuttering

01 Stud bolt

02 Nut

3.1 Installation kit for concrete-tile pool and concrete-liner pool (fig.1)

3.2 Installation kit for concrete pool with brush-applied sealant (fig.2)

04 Flange

05 Screw

22 Distance washer

Fasten the installation kit (3.1 / 3.2) in the desired position with the stud bolt (01), distance washer (22) and nut (02) to the wall shuttering (X).



Warning!

Before cementing it in the installation kit (3.1 / 3.2) must be fitted horizontally and true to dimensions in such a way that it cannot move on the shuttering or between the shutterings as it cannot be adjusted any more subsequently. Additionally fasten the installation kit (3.1 / 3.2) to the concrete reinforcing bars.

4.2 Shuttering removal / Concrete-tile pool and Concrete-liner pool

see fig. 1

After removing the shuttering (X) the stud bolts (01), the washers (22) and the nuts (02) that are no longer required must be removed.

4.3 Shuttering removal / Concrete pool with brush-applied sealant

see fig. 2

After removing the shuttering (X) the stud bolts (01), the washers (22) and the nuts (02) that are no longer required must be removed.

After the shuttering has been removed from the pool, take the mounting screws (05) out of the flange (04).

4.4 Installation general



Warning!

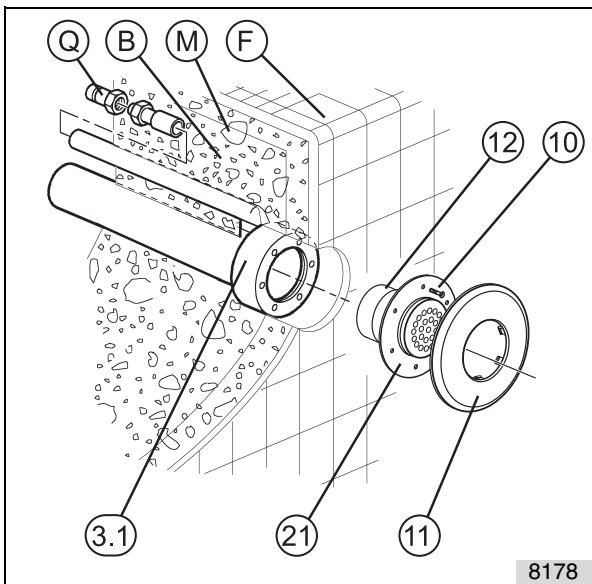
The non-return air valve (Q) must be mounted above the surface of the water in the pool. Keep the air hose as short as possible.

4.5 Installation / Concrete-tile pool

Apply a layer of mortar (M) only up to the installation kit (3.1) and lay the tiles (F). The distance between the upper edge of the tiles and the installation kit (3.1) should be between 4 and 6 cm, as the jet (21) is designed for this sort of gap. Potential deviations may be compensated for by shortening or lengthening the spacer pipe (12).

Insert the jet (21) into the installation kit (3.1) and fasten with screws (10).

Fasten the tile screen (11).



- B Raw concrete
- F Tiles
- M Mortar
- Q Non-return air valve
- 3.1 Installation kit for concrete-tile pool and concrete-liner pool
- 10 Screw
- 11 Tile screen
- 12 Spacer pipe
- 21 Jet

fig. 3

8178

4.6 Installation / Concrete-liner pool

Clamp the pool liner (L) with the clamp gasket (08), the clamp ring (09) and using the mounting screws (19).

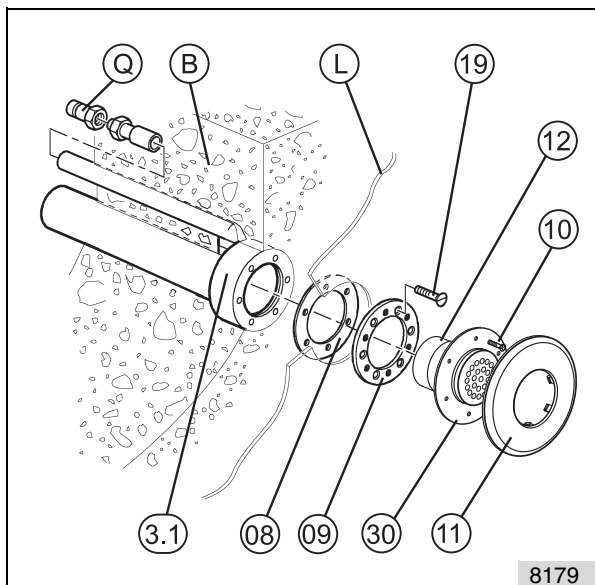


Warning!

The clamp ring (09) must make a neat, flush contact. Do not use any additional glues or sealing compounds which could react chemically with the clamp gasket (08).



Cut out the liner (L) to a diameter corresponding to the internal diameter of the clamp ring (09). Insert the jet (30) into the installation kit (3.1) and fasten to the clamp ring (09) with the screws (10). Fasten the tile screen (11).



- B Raw concrete
- L Liner
- Q Non-return air valve
- 3.1 Installation kit for concrete-tile pool and concrete-liner pool
- 08 Clamp gasket
- 09 Clamp ring
- 10 Screw
- 11 Tile screen
- 12 Spacer pipe
- 19 Screw
- 30 Jet

fig. 4

4.7 Installation / Concrete pool with brush-applied sealant

The swimming pool can be lined with brush-applied sealant (S) to over the flange (04) of the installation kit (3.2). Then the pool can be tiled internally.

Apply a layer of mortar (M) and tiles (F) up to just in front of the holes in the flange (04).

The distance between the upper edge of the tiles and the installation kit (3.2) should be between 4 and 6 cm, as the jet (21) is designed for this sort of gap. Potential deviations may be compensated for by shortening or lengthening the spacer pipe (12).

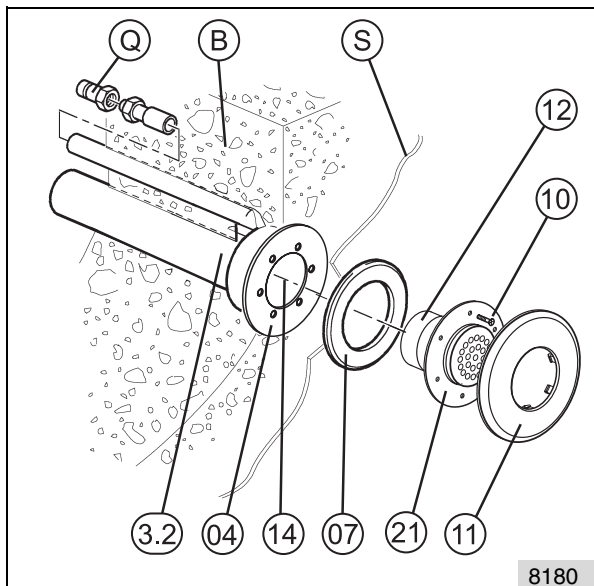
Cut out the clamp gasket (14) at the inner edge of the flange (04).

Place the spacer ring (07) on the tiles (F) so that no water can penetrate into the tile gaps.

Insert the jet (21) into the installation kit (3.2) and fasten with screws (10).

Fasten the tile screen (11)..

GB



- B Raw concrete
- Q Non-return air valve
- S Brush-applied sealant
- 3.2 Installation kit for concrete pool with brush-applied sealant
- 04 Flange
- 10 Screw
- 11 Tile screen
- 12 Spacer pipe
- 14 Clamp gasket
- 21 Jet

fig. 5

4.8 Installation / Pre-fabricated pool

Use the clamp gasket (15) as a template and drill holes for the hold-ring (16) at the appropriate points.

Fasten the clamp ring (17) together with the clamp gasket (15), the distance washers (18) and nuts to the pool wall (A) and with screws (10) to the installation kit (3.3).



Attention!

The clamp ring (09) and clamp gasket (15) must make a neat, flush contact. Do not use any additional glues or sealing compounds which could react chemically with the clamp gasket (15).

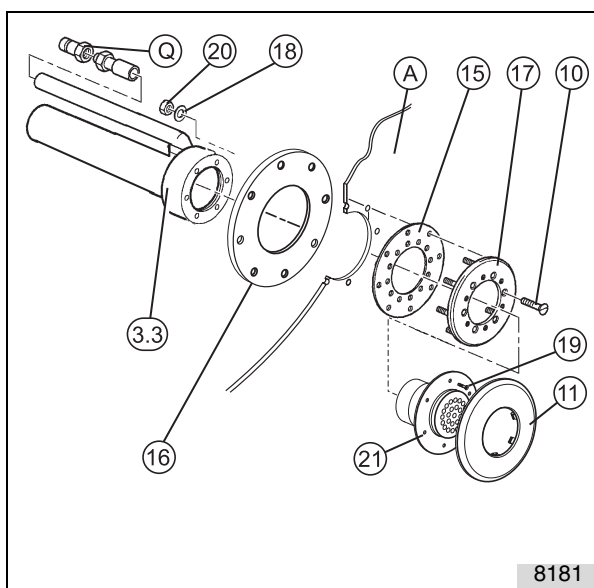


Finally insert the jet (21) into the installation kit (3.3) and fasten to the clamp ring (17) using the countersunk screws (19) provided.

Fasten the tile screen (11).

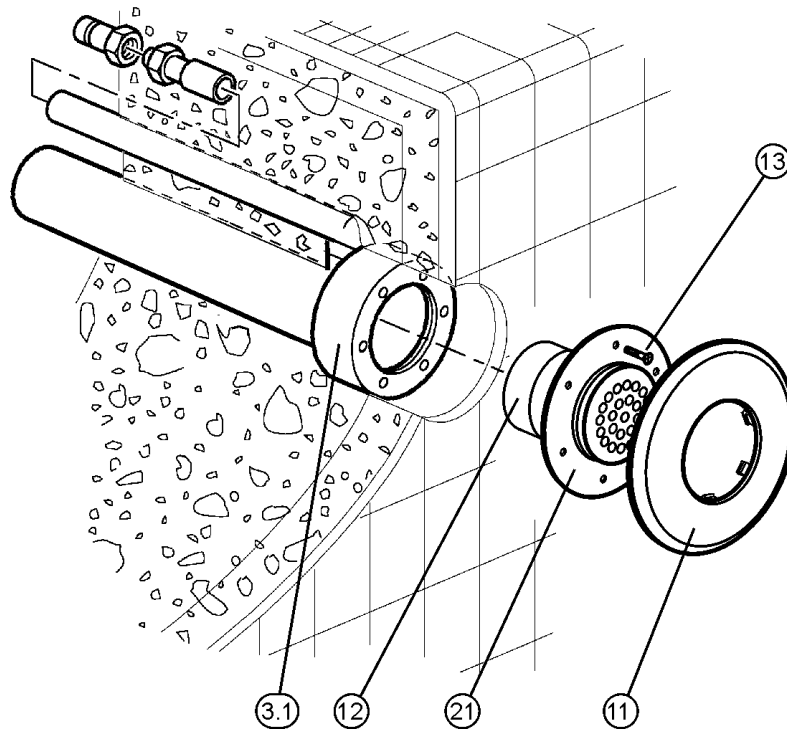


The non-return air valve (Q) must be mounted above the surface of the water in the pool. Keep the air hose as short as possible.



- A Pool wall
- Q Non-return air valve
- 3.3 Installation kit for pre-fabricated pool
- 10 Screw
- 11 Tile screen
- 15 Clamp gasket
- 16 Hold-ring
- 17 Clamp ring
- 18 Distance washer
- 19 Countersunk screw
- 20 Nut
- 21 Jet

Abb. 6

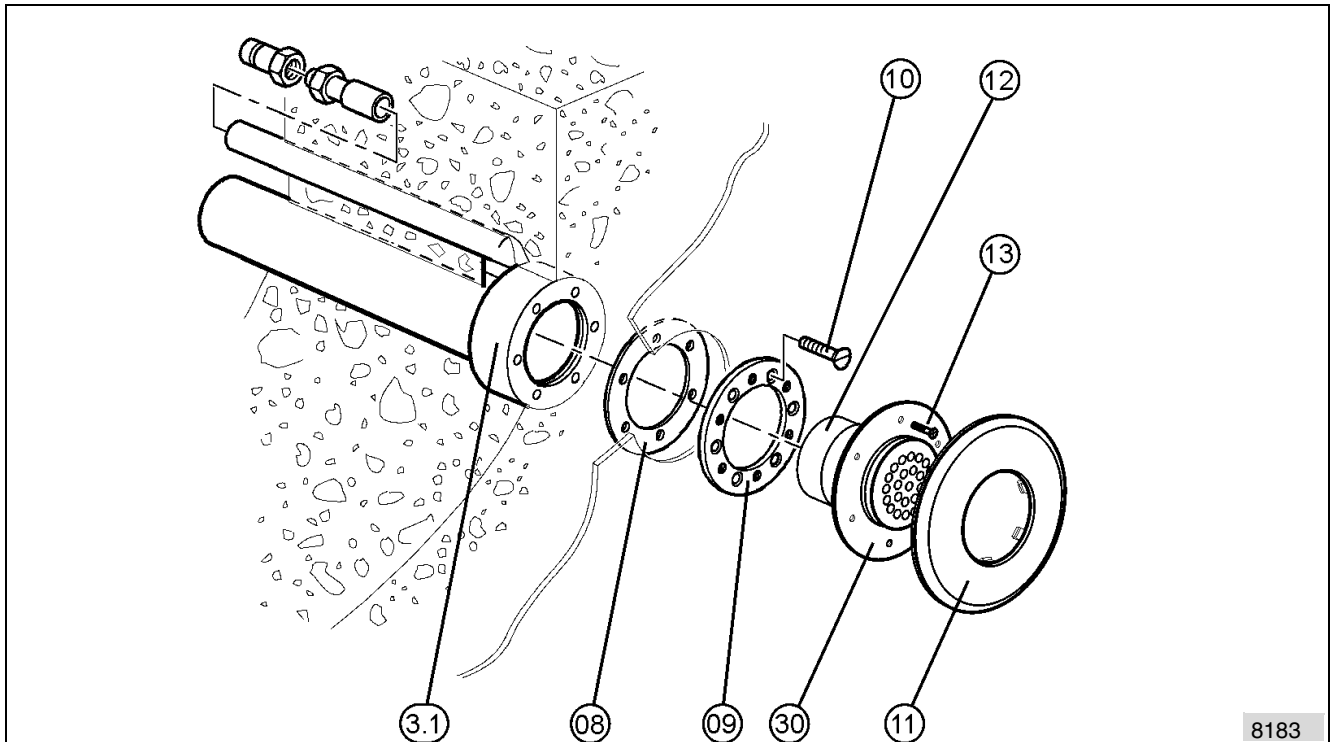


8182

7

5 Ersatzteilliste compact hydro-massage ABS / Bronze
Liste des pièces détachées compact hydro-massage ABS / Bronze
Spare parts list compact hydro-massage ABS / Bronze
5.1 Betonbecken gefliest / Bassin béton-carrelage / Concrete-tile pool

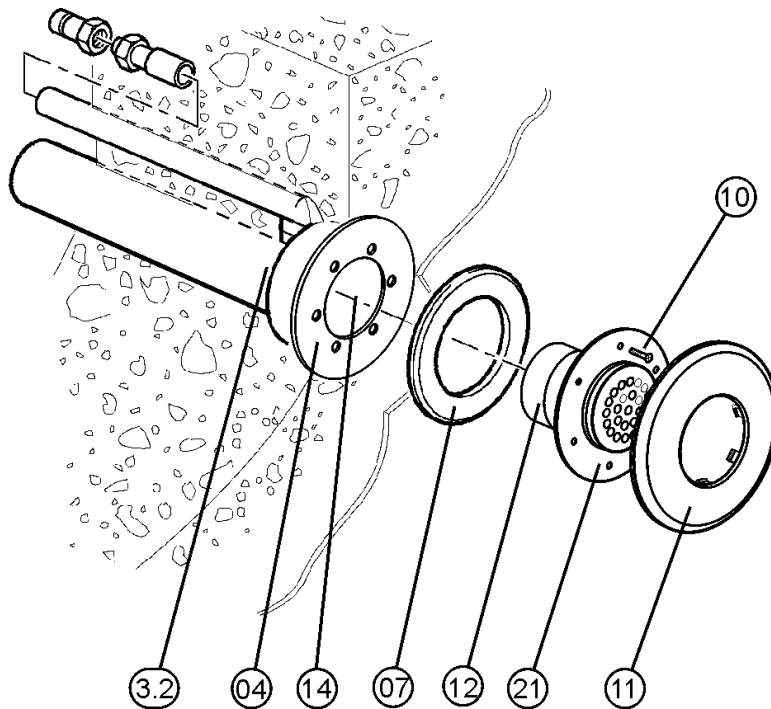
Pos.	Best. Nr. N° de réf. Order No.	Bezeichnung	Désignation	Description	Stck. Nbre Qty.	Bemerkung Remarque Remark
3.1	93044	Einbausatz komplett	Pièce à sceller complète	Installation kit complete	1	
11	54611	Blende	Cache	Tile screen	1	
12	55826	Zwischenrohr	Tube intermédiaire	Spacer pipe	1	
13	11073	Schraube	Vis	Screw	6	M 6x40
21.1	93473	Düse pulsive	Buse pulsive	Jet pulsive	1	Q = 7 m ³ /h
21.2	93474	Düse balance	Buse balance	Jet balance	1	Q = 12 m ³ /h
21.3	93476	Düse comfort	Buse comfort	Jet comfort	1	Q = 20 m ³ /h
21.4	92795	Düse karibic	Buse karibic	Jet karibic	1	Q = 48 m ³ /h
	93477	Fertigmontage pulsive komplett	Kit de montage "pulsive" complet	Assembly kit pulsive complete	1	Q = 7 m ³ /h
	93480	Fertigmontage balance komplett	Kit de montage "balance" complet	Assembly kit balance complete	1	Q = 12 m ³ /h
	93483	Fertigmontage comfort komplett	Kit de montage "comfort" complet	Assembly kit comfort complete	1	Q = 20 m ³ /h
	92820	Fertigmontage karibic komplett	Kit de montage "karibic" complet	Assembly kit karibic complete	1	Q = 48 m ³ /h



8

5.2 Betonbecken mit Folie / Bassin béton-liner / Concrete-liner pool

Pos.	Best. Nr. N° de réf. Order No.	Bezeichnung	Désignation	Description	Stck. Nbre Qty.	Bemerkung Remarque Remark
3.1	93044	Einbausatz komplett	Pièce à sceller compl.	Installation kit complete	1	
08	22242	Flachdichtung	Joint plat	Clamp gasket	1	
09	56599	Klemmring	Bague de serrage	Clamp ring	1	
10	10489	Schraube	Vis	Screw	6	M 6x25
11	54611	Blende	Cache	Tile screen	1	
12	55826	Zwischenrohr	Tube intermédiaire	Spacer pipe	1	
13	10512	Schraube	Vis	Screw	6	M 6x10
30.1	93473	Düse pulsive	Buse pulsive	Jet pulsive	1	Q = 7 m ³ /h
30.2	93474	Düse balance	Buse balance	Jet balance	1	Q = 12 m ³ /h
30.3	93476	Düse comfort	Buse comfort	Jet comfort	1	Q = 20 m ³ /h
30.4	92795	Düse karibic	Buse karibic	Jet karibic	1	Q = 48 m ³ /h
	93478	Fertigmontage pulsive komplett	Kit de montage "pulsive" complet	Assembly kit pulsive complete	1	Q = 7 m ³ /h
	93481	Fertigmontage balance komplett	Kit de montage "balance" complet	Assembly kit balance complete	1	Q = 12 m ³ /h
	93484	Fertigmontage comfort komplett	Kit de montage "comfort" complet	Assembly kit comfort complete	1	Q = 20 m ³ /h
	92821	Fertigmontage karibic komplett	Kit de montage "karibic" complet	Assembly kit karibic complete	1	Q = 48 m ³ /h

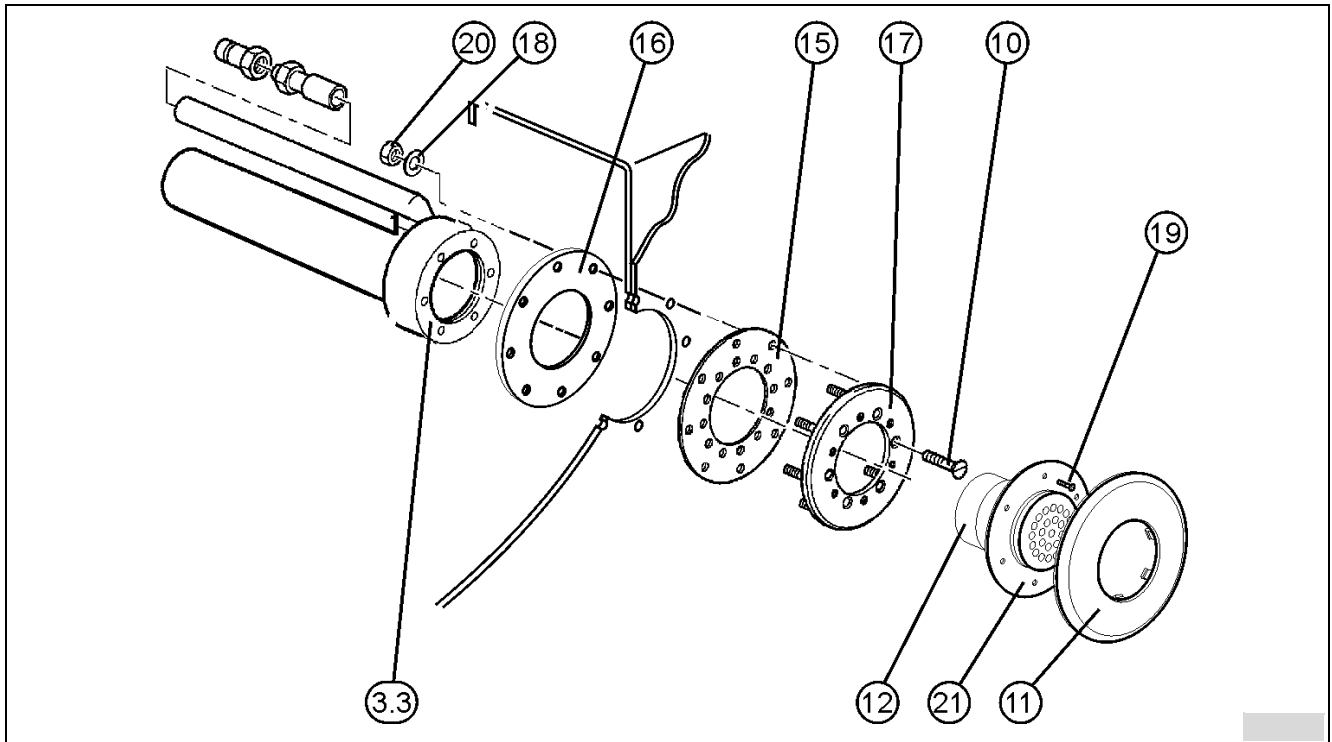


8184

9

5.3 Betonbecken mit Streichfolie / Bassin béton avec étanchéité souple / Concrete pool with brush-applied sealant

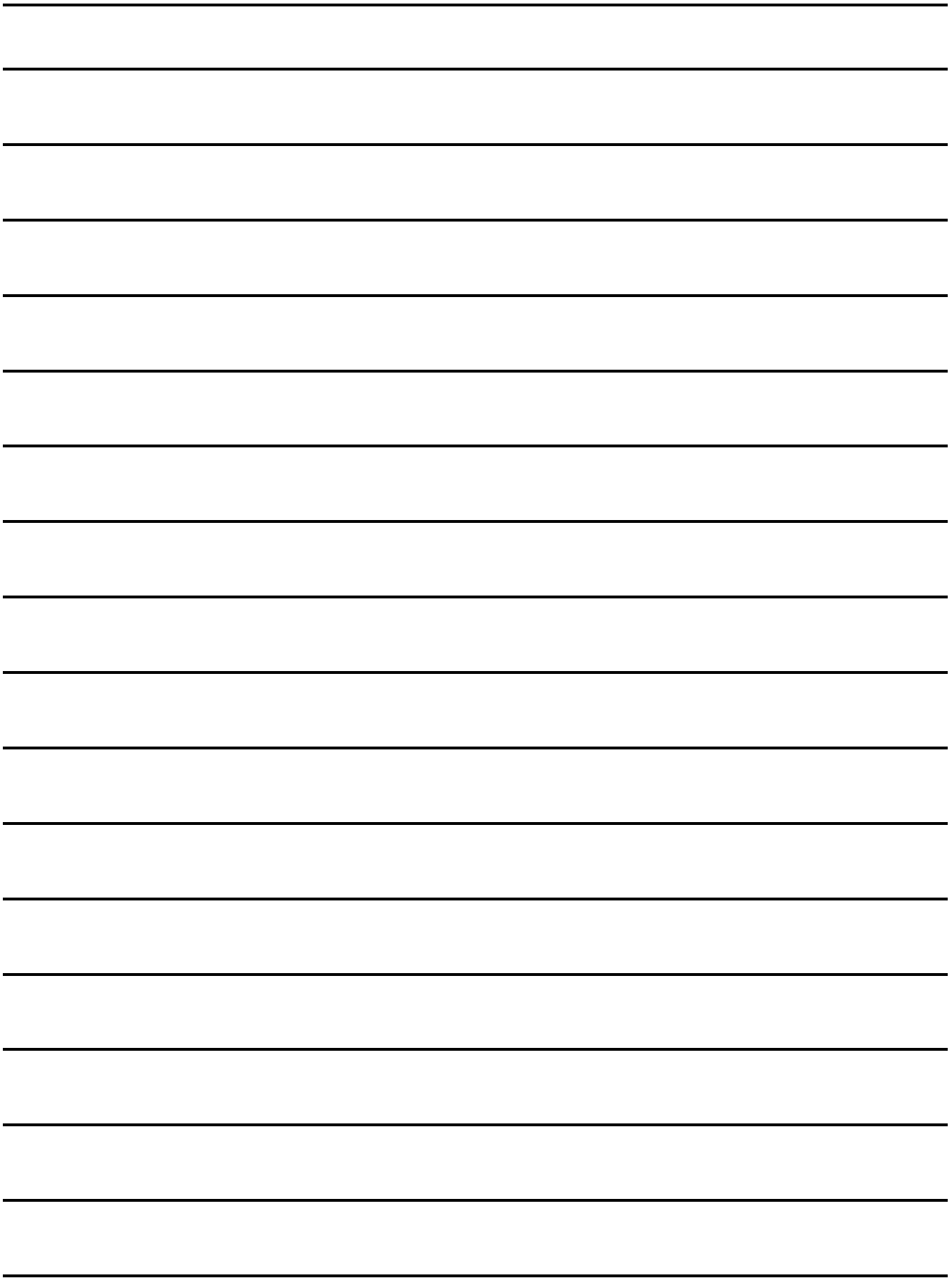
Pos.	Best. Nr. N° de réf. Order No.	Bezeichnung	Désignation	Description	Stck. Nbre Qty.	Bemerkung Remarque Remark
3.2	93163	Einbausatz komplett	Pièce à sceller compl.	Installation kit complete	1	
04	56007	Flansch	Bride	Flange	1	
07	56598	Zwischenring	Bague intercalaire	Spacer ring	1	
10	11073	Schraube	Vis	Screw	6	M 6x40
11	54611	Blende	Cache	Tile screen		
12	55826	Zwischenrohr	Tube intermédiaire	Spacer pipe	1	
14	22221	Flachdichtung	Joint plat	Clamp gasket	1	
21.1	93473	Düse pulsive	Buse pulsive	Jet pulsive	1	Q = 7 m ³ /h
21.2	93474	Düse balance	Buse balance	Jet balance	1	Q = 12 m ³ /h
21.3	93476	Düse comfort	Buse comfort	Jet comfort	1	Q = 20 m ³ /h
21.4	92795	Düse karibic	Buse karibic	Jet karibic	1	Q = 48 m ³ /h
	93477	Fertigmontage pulsive komplett	Kit de montage "pulsive" complet	Assembly kit pulsive complete	1	Q = 7 m ³ /h
	93480	Fertigmontage balance komplett	Kit de montage "balance" complet	Assembly kit balance complete	1	Q = 12 m ³ /h
	93483	Fertigmontage comfort komplett	Kit de montage "comfort" complet	Assembly kit comfort complete	1	Q = 20 m ³ /h
	92820	Fertigmontage karibic komplett	Kit de montage "karibic" complet	Assembly kit karibic complete	1	Q = 48 m ³ /h

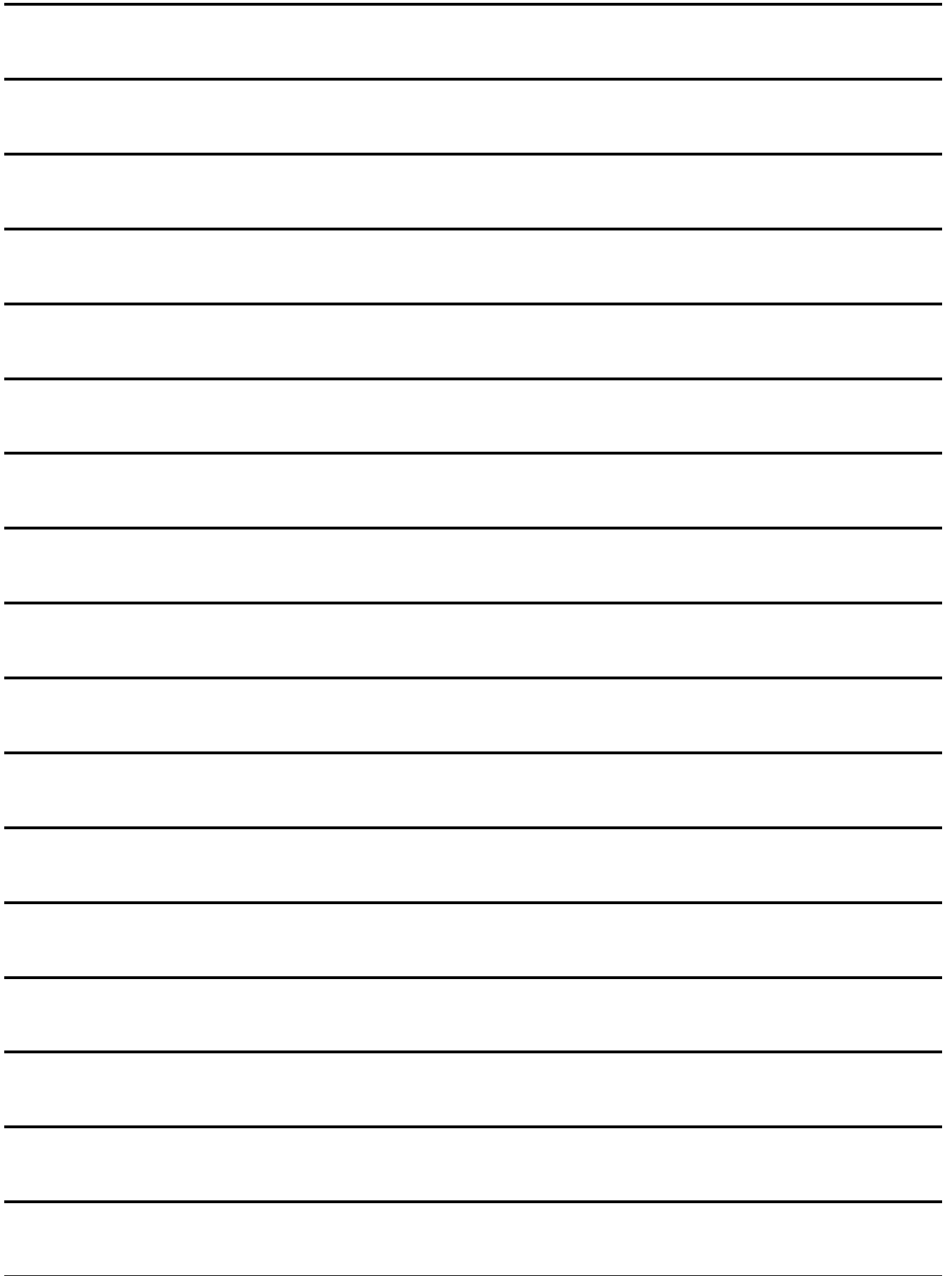


10

5.4 Fertigbecken / Bassin préfabrique / Pre-fabricated pool

Pos.	Best. Nr. N° de réf. Order No.	Bezeichnung	Désignation	Description	Stck. Nbre Qty.	Bemerkung Remarque Remark
3.3	94312	Einbausatz komplett	Pièce à sceller compl.	Installation kit complete	1	
10	10419	Schraube	Vis	Screw	6	M 6x20
11	54511	Blende	Cache	Tile screen		
12	55826	Zwischenrohr	Tube intermédiaire	Spacer pipe	1	
15	22232	Flachdichtung	Joint plat	Clamp gasket	1	
16	55639	Haltering	Bague de retenue	Hold-ring	1	
17	46001	Klemmring	Bague de serrage	Clamp ring	1	
18	12392	Unterlegscheibe	Rondelle	Distance washer	8	
19	11022	Schraube	Vis	Screw	6	M 6x16
20	12181	Mutter	Ecrou	Nut	8	
21.1	93473	Düse pulsive	Buse pulsive	Jet pulsive	1	Q = 7 m ³ /h
21.2	93474	Düse balance	Buse balance	Jet balance	1	Q = 12 m ³ /h
21.3	93476	Düse comfort	Buse comfort	Jet comfort	1	Q = 20 m ³ /h
21.4	92795	Düse karibic	Buse karibic	Jet karibic	1	Q = 48 m ³ /h
	93479	Fertigmontage pulsive komplett	Kit de montage "pulsive" complet	Assembly kit pulsive complete	1	Q = 7 m ³ /h
	93482	Fertigmontage balance komplett	Kit de montage "balance" complet	Assembly kit balance complete	1	Q = 12 m ³ /h
	93485	Fertigmontage comfort komplett	Kit de montage "comfort" complet	Assembly kit comfort complete	1	Q = 20 m ³ /h
	92820	Fertigmontage karibic komplett	Kit de montage "karibic" complet	Assembly kit karibic complete	1	Q = 48 m ³ /h





Schmalenberger GmbH + Co. KG

Strömungstechnologie

Im Schelmen 9 - 11

D-72072 Tübingen / Germany

Telefon: +49 (0)7071 70 08 - 0

Telefax: +49 (0)7071 70 08 - 10

Internet: www.fluvo.de

E-Mail: info@schmalenberger.de

© 2009 Schmalenberger GmbH + Co. KG ; All rights reserved

This document is subject to change without notice